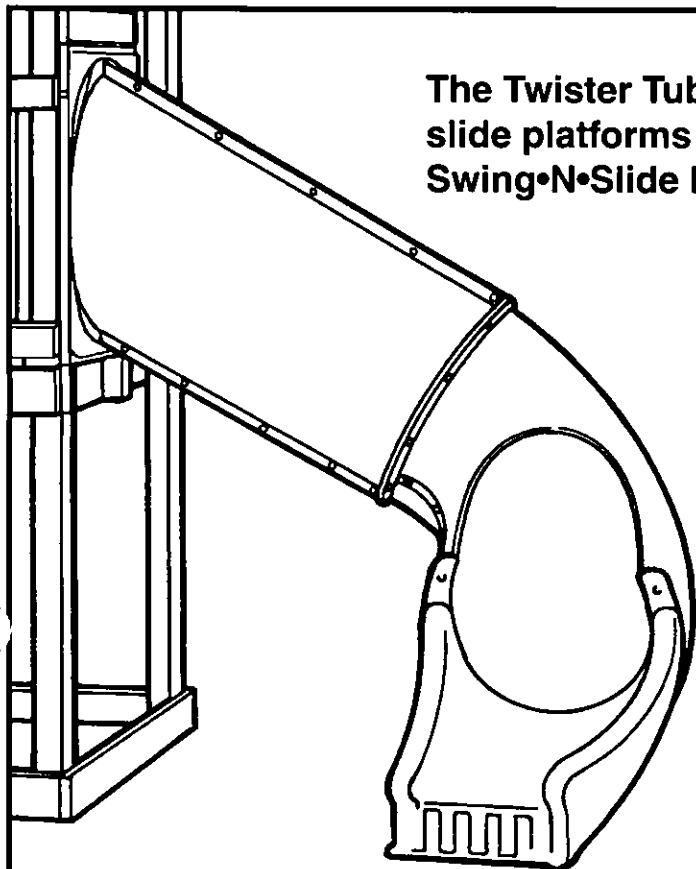


Swing-N-Slide®

NE 4680

Twister Tube Slide



The Twister Tube Slide Easily attaches to 48 & 52" slide platforms and is compatible with the following Swing-N-Slide kits...

- Eagle's Nest Clubhouse
- Eagle's Nest Climber
 - Covered Wagon Round-Up
 - Covered Wagon Corral
 - Playdeck
 - Sandcastle

CAUTION

- Do not climb on the outside of the slide
- This slide is designed for home use only, not for Public Playgrounds

Materials Required

- One 2" x 4" x 8'
- One 2" x 4" x 10'
- One 2" x 6" x 10'

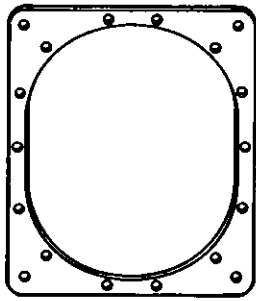
Tools Required

- Socket wrench
- 1/2" Socket
- Electric drill
- Circular saw
- Tape measure
- Hammer and Screwdriver
- 1/2" Wrench
- 1/8" & 5/16" Drill bit
- Safety Glasses
- Pencil and Square

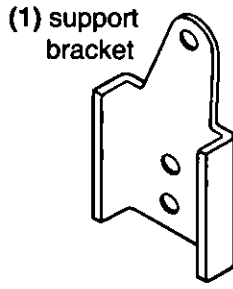


SEAL OF APPROVAL

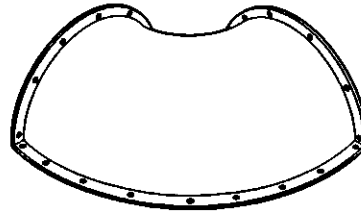
Kit Includes



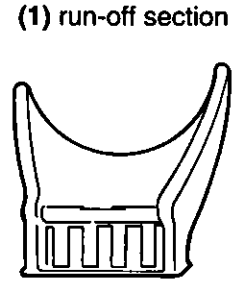
(1) mounting plate



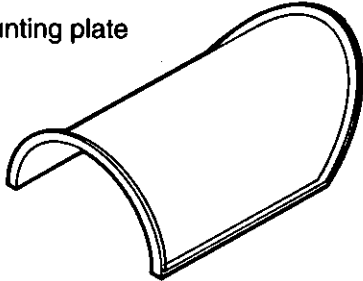
(1) support bracket



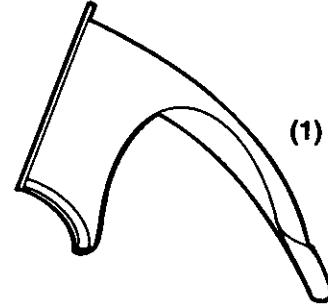
(1) 90° section



(1) run-off section



(1) right entrance section
(1) left entrance section



(1) exit section

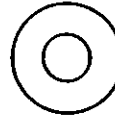
NOTE: Hardware below is shown actual size.



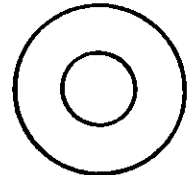
(2) 2-3/4" hex head bolts



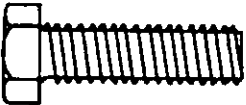
(51) loc nuts



(3) washers



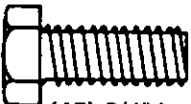
(113) 5/16" washers



(4) 1" hex head bolts



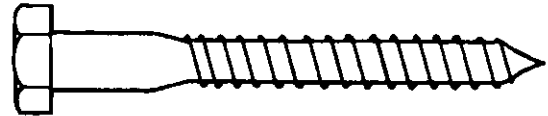
(3) 1-1/4" pan head screws



(45) 3/4" hex head bolts



(10) 1-1/2" lag bolts



(4) 2-1/2" lag bolts

Cutting Guide - Playdeck Only!!!

Cut Lumber First!

NOTE: The cutting guide below is for application to the Playdeck only. If attaching the Twister Tube Slide to any other unit see the cutting guide on page 3.

| | | | |
|---------|--------|--------|--|
| 13-1/2" | 9-1/4" | 9-1/4" | |
|---------|--------|--------|--|

One 2" x 4" x 8'

| | | | | |
|-----|-----|-----|-----|-----|
| 28" | 30" | 20" | 20" | 20" |
|-----|-----|-----|-----|-----|

One 2" x 4" x 10'

| | | | |
|-----|-----|---------|-----|
| 28" | 30" | 31-1/2" | 18" |
|-----|-----|---------|-----|

One 2" x 6" x 10'

Cutting Guide - Eagle's Nest, Covered Wagon and Sandcastle Only!!!

NOTE: The cutting guide below is for application to the **Eagle's Nest, Covered Wagon and Sandcastle** only. If attaching the Twister Tube Slide to the Playdeck see the cutting guide on page 2.

| | | | | | | |
|-----|------|------|--------|--------|----------|--|
| 12" | 5" * | 5" * | 9-1/4" | 9-1/4" | 23-1/4"* | |
|-----|------|------|--------|--------|----------|--|

One 2" x 4" x 8'

| | | | | |
|-----|-----|-----|-----|-----|
| 28" | 30" | 20" | 20" | 20" |
|-----|-----|-----|-----|-----|

One 2" x 4" x 10'

| | | | |
|-----|-----|-----|--|
| 28" | 30" | 30" | |
|-----|-----|-----|--|

One 2" x 6" x 10'

* These boards are required for the Eagle's Nest Clubhouse and Covered Wagon Corral only

Frame Assembly Instructions

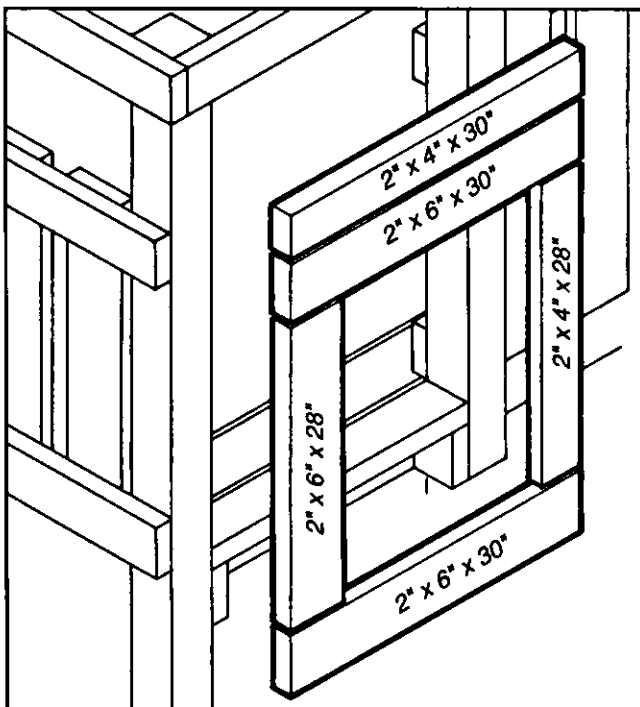


Fig. 1 Playdeck, Sandcastle, Eagle's Nest Climber, or Covered Wagon Round-up

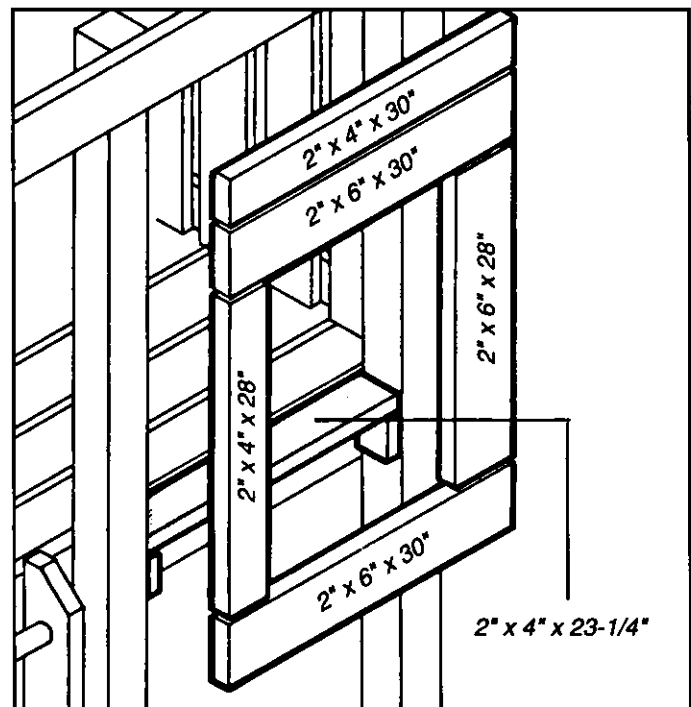


Fig. 2 Eagle's Nest Clubhouse, Covered Wagon Corral

- This step is required for the Eagle's Nest Clubhouse and Covered Wagon Corral only.** Assemble the additional deck area (shaded boards, Fig 2) using two 2" x 4" x 5" supports and one 2" x 4" x 23-1/4" deck board. Attach each support to the unit approximately 1-1/2" lower than the top of the existing deck using four 16D galvanized nails per board. Attach the deck board with two 16D galvanized nails at each end. **Note:** Blunt the tips of nails to avoid splitting the wood.
- Align the bottom 2" x 6" x 30" board flush with the top of the deck and 4" x 4" posts and attach it to the unit using four 16D galvanized nails per joint (see Figs. 1 or 2). Attach remaining boards as indicated in Figs. 1 or 2 using four 16D galvanized nails per joint. **Note:** Work from the bottom board to the top board to assure proper alignment with the unit.

Slide Assembly Instructions

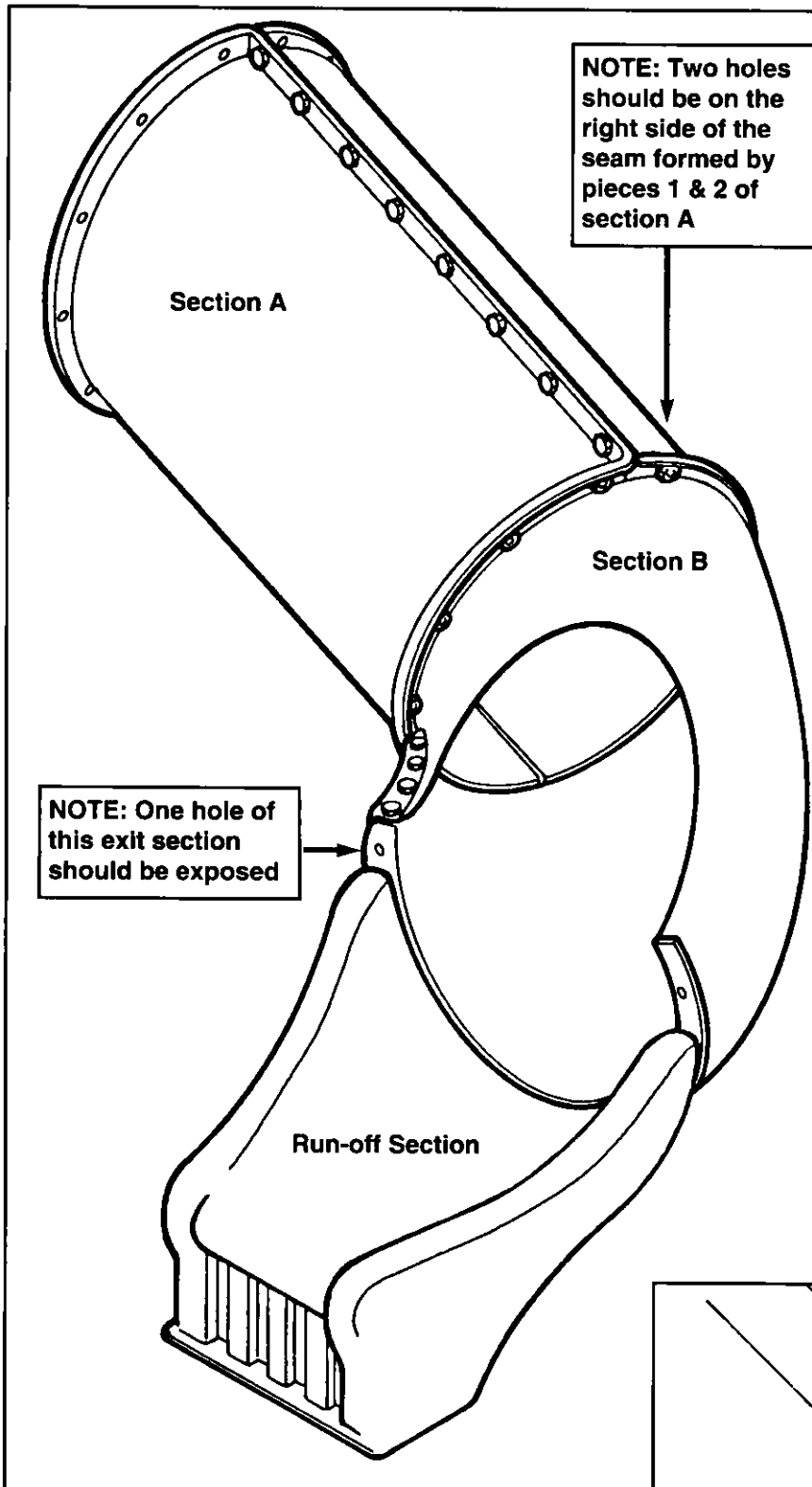
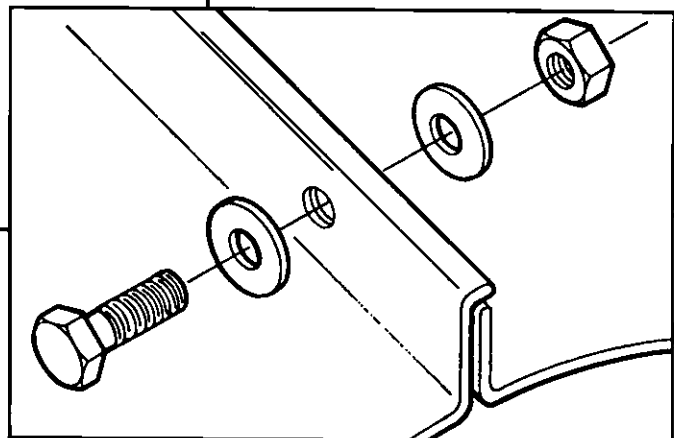


Fig. 3 Slide Assembly

Fig. 4 Slide Assembly Bolt Detail



IMPORTANT

- At least two individuals are required to assemble the Twister Tube Slide.
 - To aid in aligning holes while assembling sections, insert a screwdriver through adjacent holes.
 - Finger tighten each loc nut until the entire slide is assembled.
1. Identify each slide section (see Kits Includes list, page 2)
 2. Assemble section A using two entrance pieces, fourteen 3/4" hex head bolts, twenty eight washers and fourteen loc nuts (see Fig. 4). Install bolts in a clockwise direction.
 3. Assemble section (B) using the 90° section, exit section, thirteen 3/4" hex head bolts, twenty six washers and thirteen loc nuts (see Fig. 4).
 4. Attach the run-off section to section (B) as indicated in Fig. 3 using six 3/4" hex head bolts, twelve washers and six loc nuts.
 5. Position section (B) to section (A) as indicated in Fig. 3.
 6. Secure sections (A) and (B) together using twelve 3/4" hex head bolts, twenty-four washers and twelve loc nuts.
 7. Tighten all nuts completely.

Installation Instructions

1. Place the mounting plate against the frame as indicated in Fig. 5. The opening of the mounting plate should expose approximately 1" of the deck as illustrated in Fig. 6 and should be flush with the right side of the frame. All holes, except the four marked with stars in Fig. 5, should be squarely positioned over the frame. Adjust the mounting frame as needed to accomplish this.

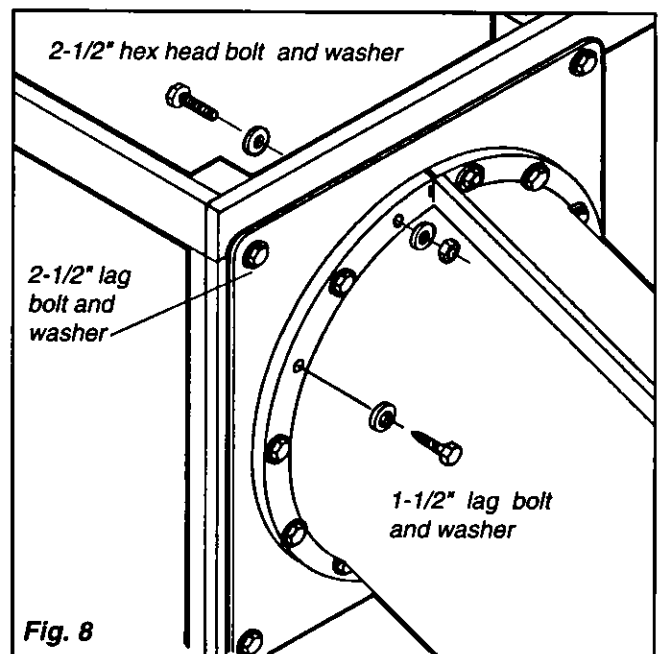
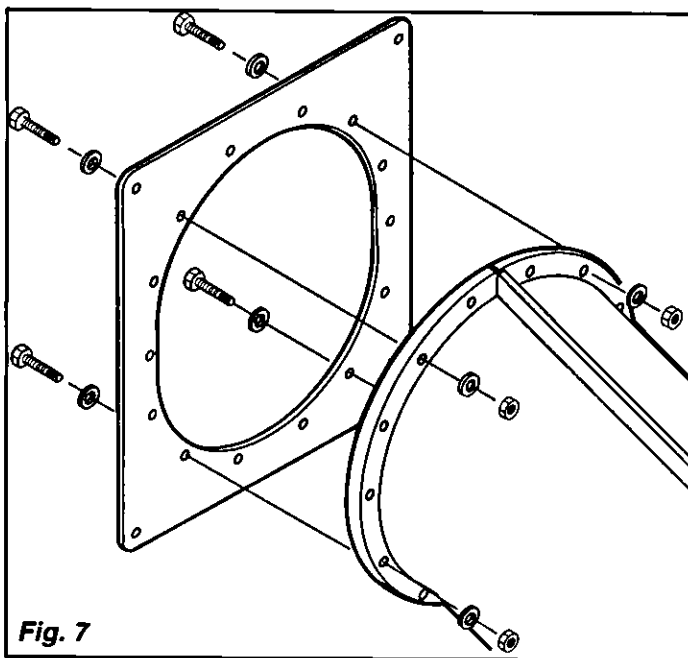
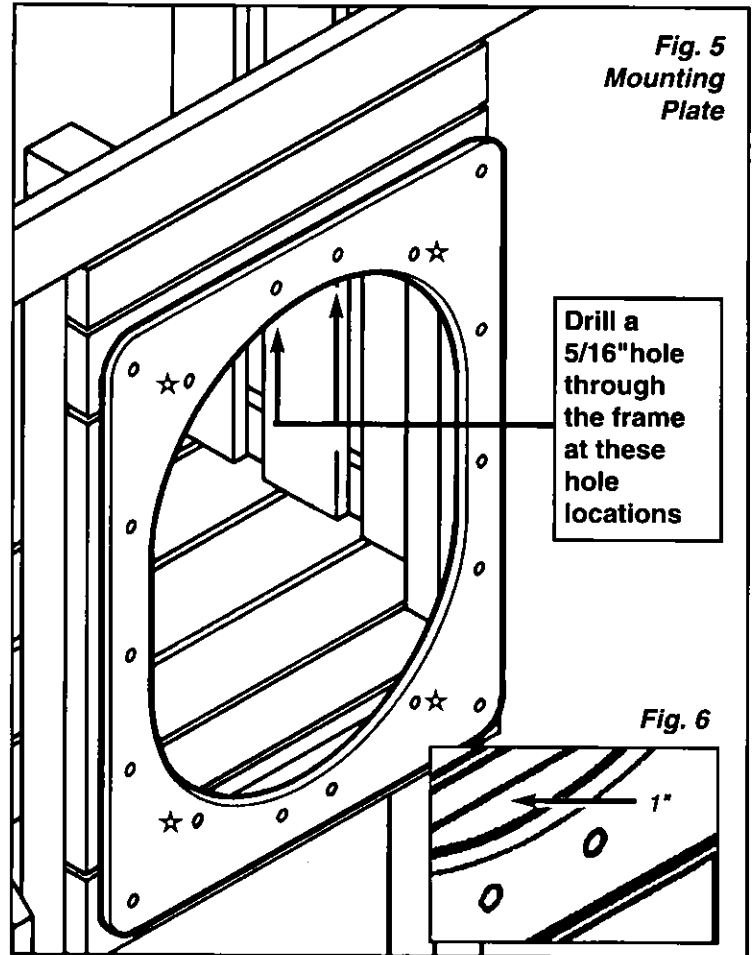
2. With a pencil, transfer the position of each hole of the mounting plate to the frame. Remove the plate and drill a 1/8" pilot hole in the center of each mark.

3. Drill two 5/16" holes through the frame where indicated in Fig. 5. **NOTE:** It is important that these holes are as square to the frame as possible to insure ease of installation.

4. Attach the mounting plate to the slide using four 1" hex head bolts, eight washers and four loc nuts (see Fig. 7). **NOTE:** Hand tighten only.

5. With the help of at least one other person, position the slide and mounting plate to the frame. Align the holes of the mounting plate to the pilot holes and 5/16" holes drilled previously.

6. Familiarize yourself with Figure 8 below. Secure mounting plate corners using a 2-1/2" lag bolt and 5/16" washer. Using two 2-1/2" hex head bolts, four washers, and two loc nuts secure slide assembly through the top two holes drilled completely through the frame. **NOTE:** The bolts heads should be on the inside of the unit. Through the remaining eight holes, secure slide using a 5/16" x 1-1/2" lag bolt and washer. (See Fig. 8) **NOTE:** Bolt heads should be on the outside of the unit. Tighten all remaining nuts.



Final Assembly Instructions

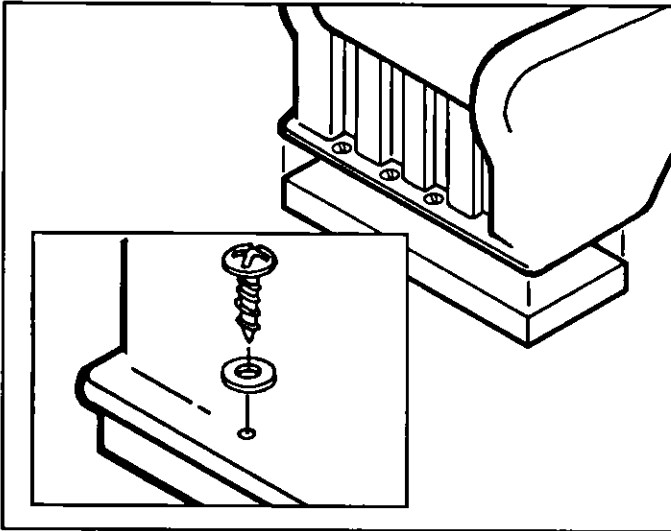


FIG. 9 FOR PLAYDECK ONLY

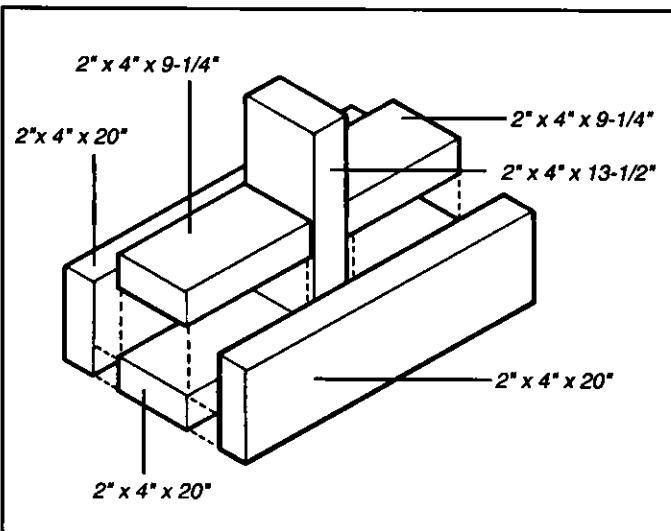


FIG. 10 Support for the Playdeck

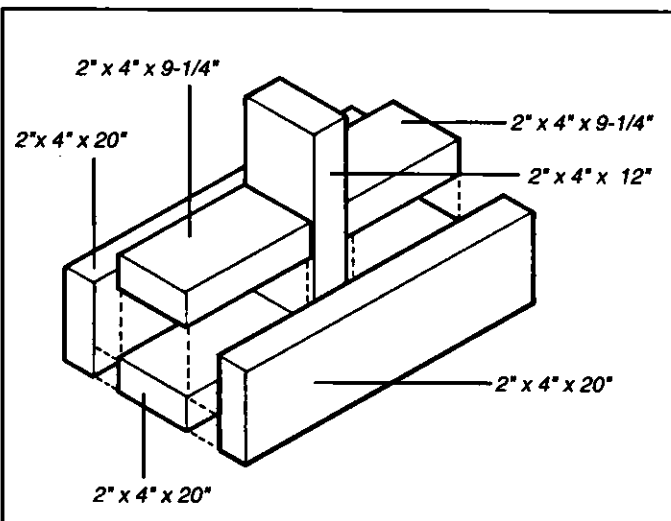


FIG. 11 Support for the Eagle's Nest, Covered Wagon and Sandcastle

1. If the Twister Tube Slide is placed on the Playdeck, a 2" x 6" x 18 board must be placed at the bottom of the run-off section (see Fig.9). Position the 2" x 6" x 18" board underneath the run-off section and drill three pilot holes through the slide and into the 2" x 6" x 18". secure the slide to the board using three evenly spaced pan head screws and washers (see Fig.9).
2. Refer to Figs.10 or 11 and determine which support is required for your application.
3. Construct the required support as indicated in Figs. 10 or 11 using 10D galvanized nails to join the boards.
4. Position the support bracket to the slide support, mark the hole positions and drill two 1/8" pilot holes. Attach the bracket to the support using two 1-1/2" lag bolts.
5. Place the support beneath the slide and determine its final position by aligning the hole in the bracket with the closest corresponding bolt on the underside of the run-off and section B connection (see Fig. 12). **NOTE: The slide support should fit tightly beneath the slide to assure proper support.**
6. Remove the corresponding nut, washers and bolt. Align the hole in the bracket with the hole in the slide, replace the bolt, ONE washer and the loc nut and tighten.
7. Level the grade around the base of the slide.

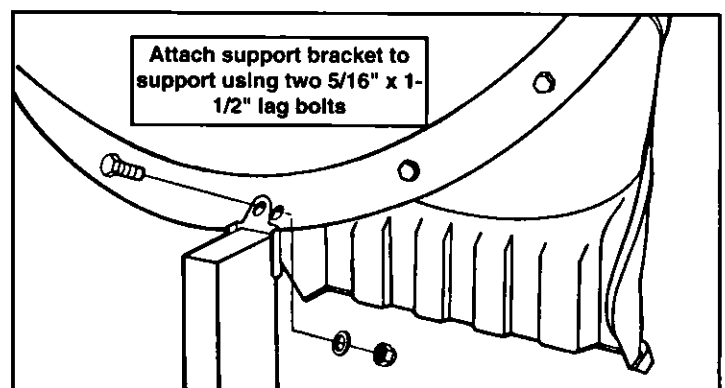


FIG. 12 Attach Support to Slide