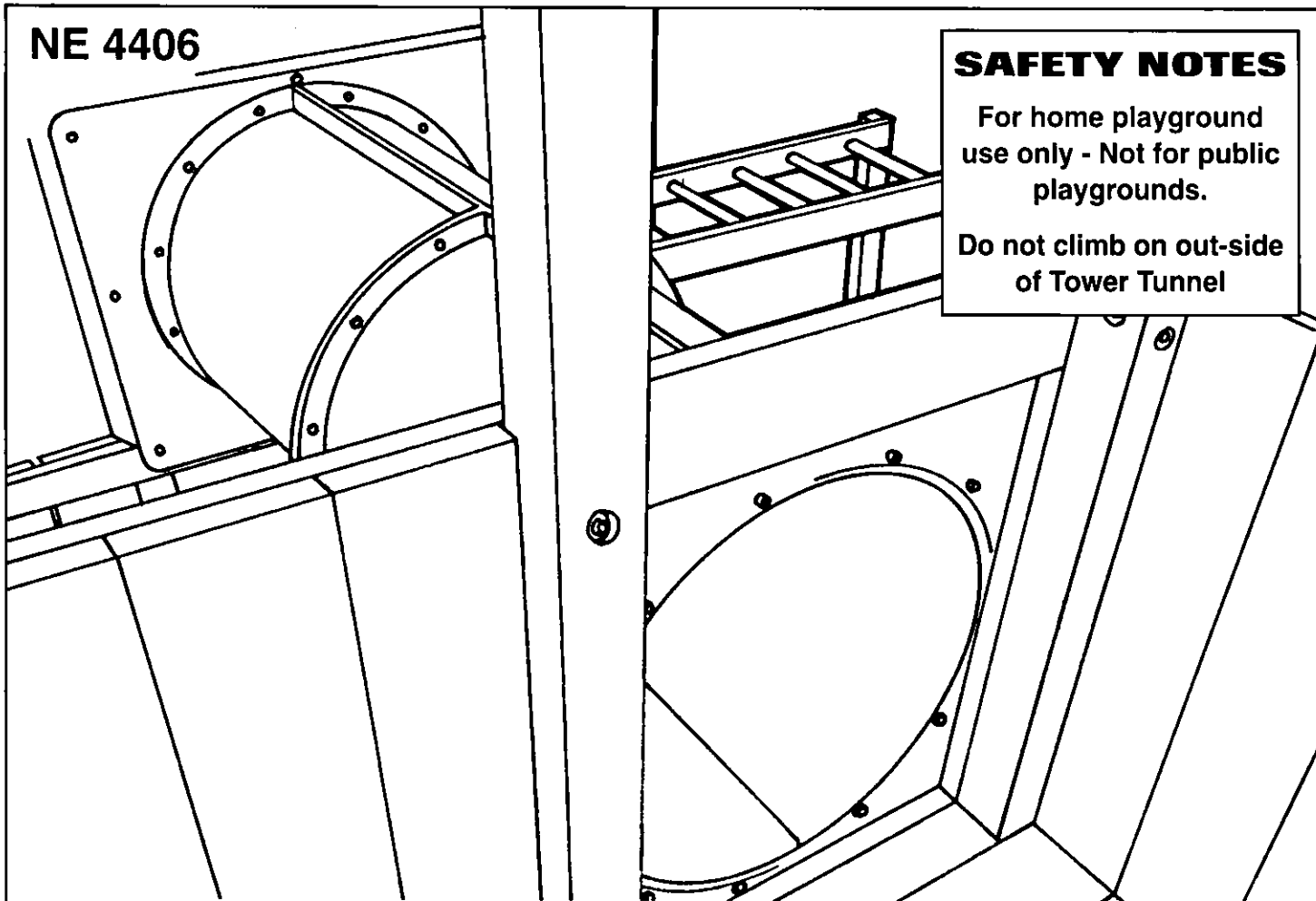


**Swing-N-Slide®**

# **Tower Tunnel™**

NE 4406

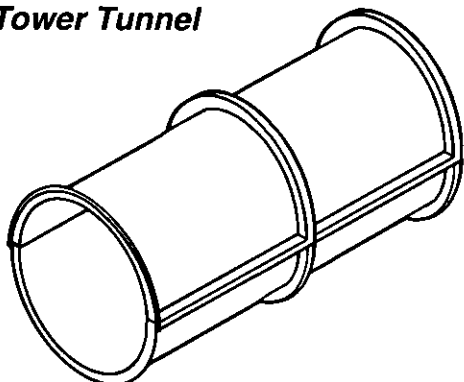


**SAFETY NOTES**

For home playground use only - Not for public playgrounds.

Do not climb on out-side of Tower Tunnel

*Tower Tunnel*



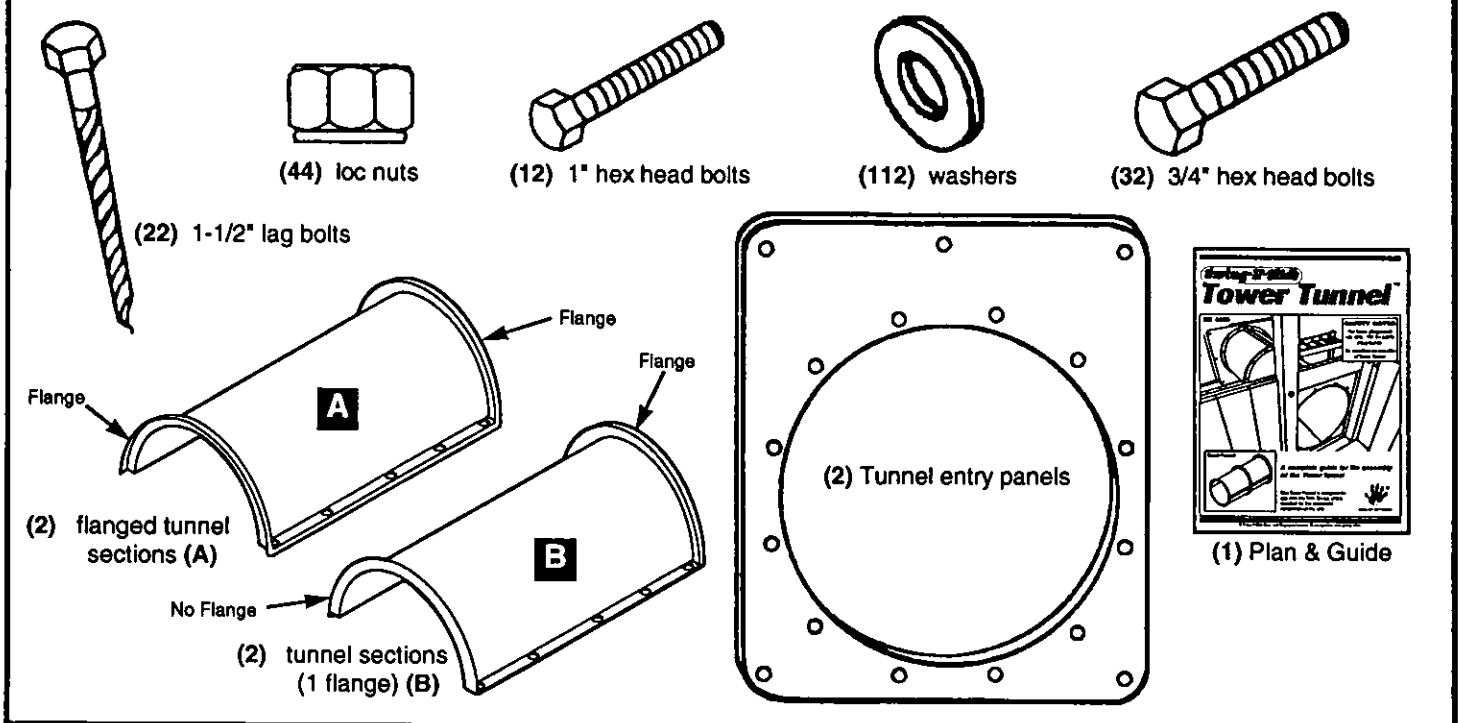
***A complete guide for the assembly of the Tower Tunnel***

The Tower Tunnel is designed for use with the Twin Towers and is required for the successful completion of the unit.

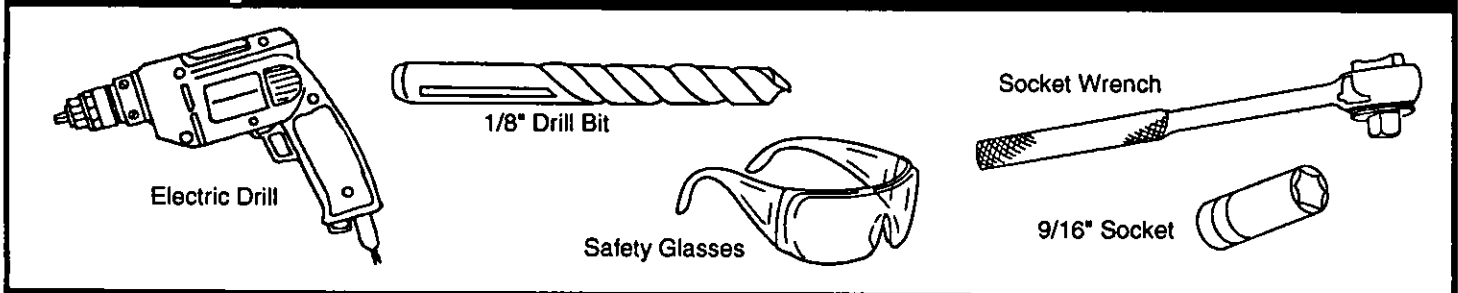


**SEAL OF APPROVAL**

## Kit Includes

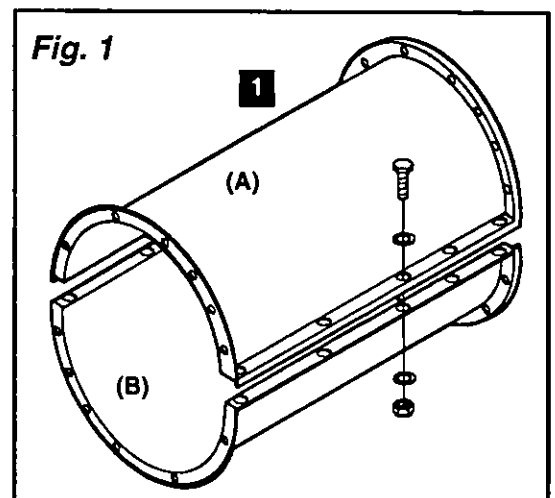


## Tools Required



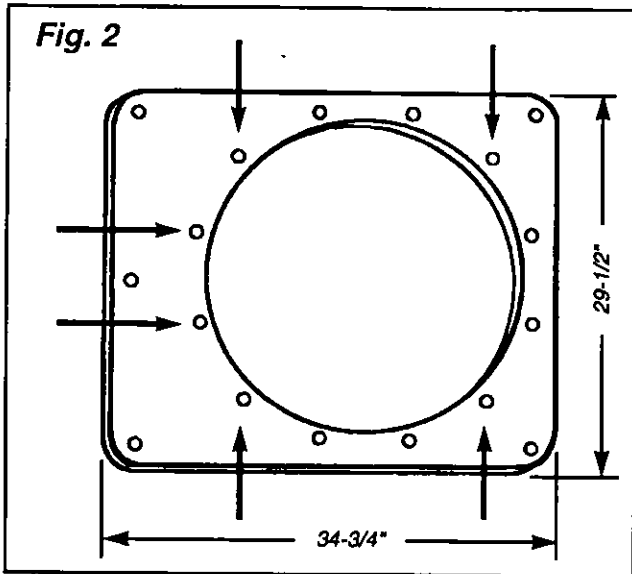
## Assembly Instructions

1. Identify each tunnel section as either (A) or (B). See illustrations above for identifying parts.
2. Align holes in section (A) with holes in (B) and attach using a 3/4" hex head bolt, two (2) flat washers, and a loc nut at each hole junction (Fig. 1). We will refer to this as segment **1**.
3. Assemble segment **2** by connecting remaining sections.
4. Connect the two sections to each other using a 3/4" hex head bolt, two (2) flat washers, and a loc nut at each mating hole. When assembled, both ends should have a flange all around the opening.

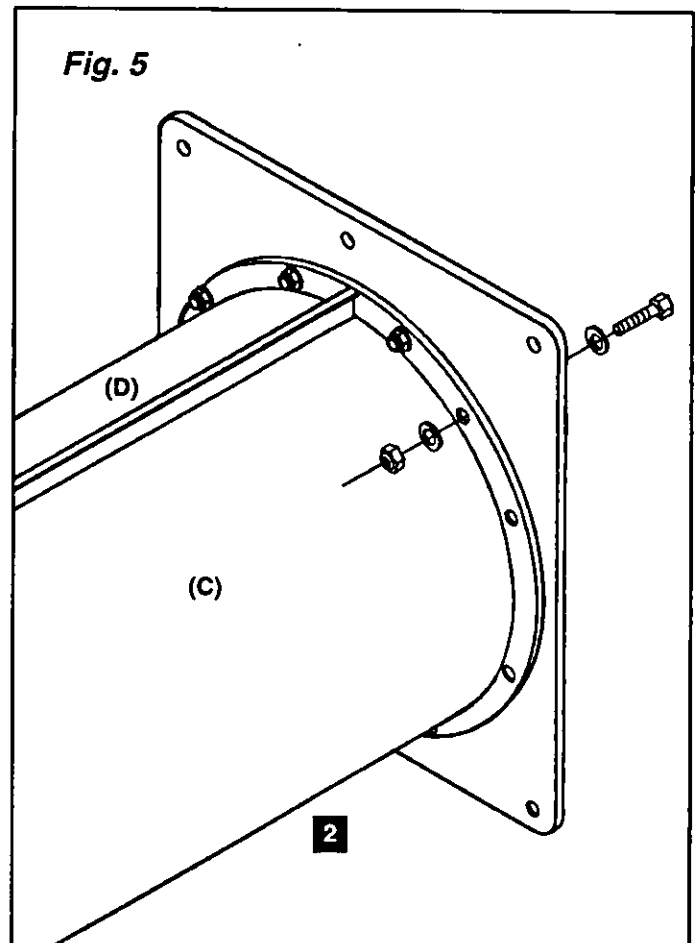
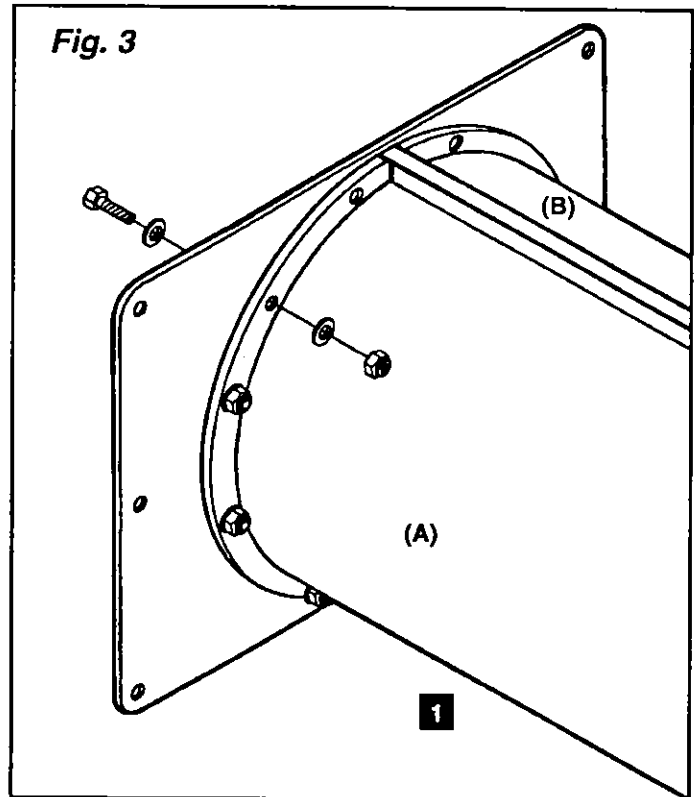
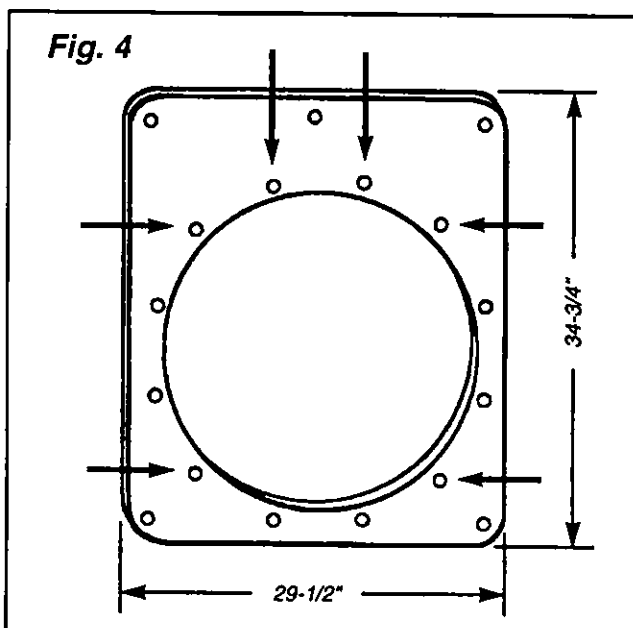


**NOTE:** When building Tower Tunnel for the Twin Towers *Dynasty* version, attach both mounting panels to the tunnel as shown in figures 4 & 5.

5. Attach mounting panel to segment **1** through holes indicated by arrows in Fig. 2. Secure using a 1" hex head bolt, two (2) flat washers, and a loc nut at each junction (Fig. 3).



6. Attach the remaining mounting panel to the opposite end of the tunnel assembly **2** through holes indicated by arrows in Fig. 4. Secure as before using a 1" hex head bolt, two (2) flat washers, and a loc nut per junction (Fig. 5).



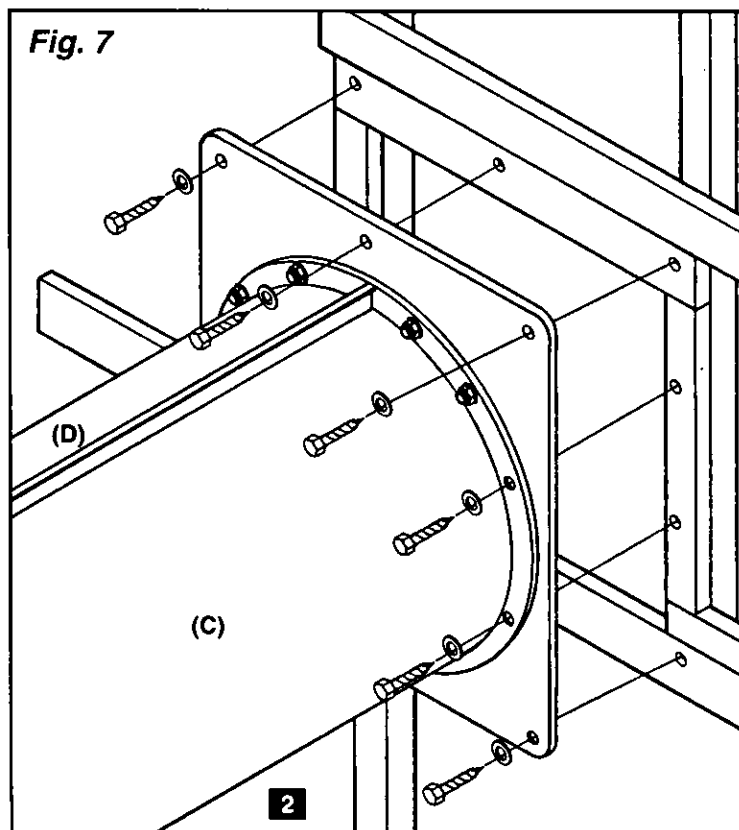
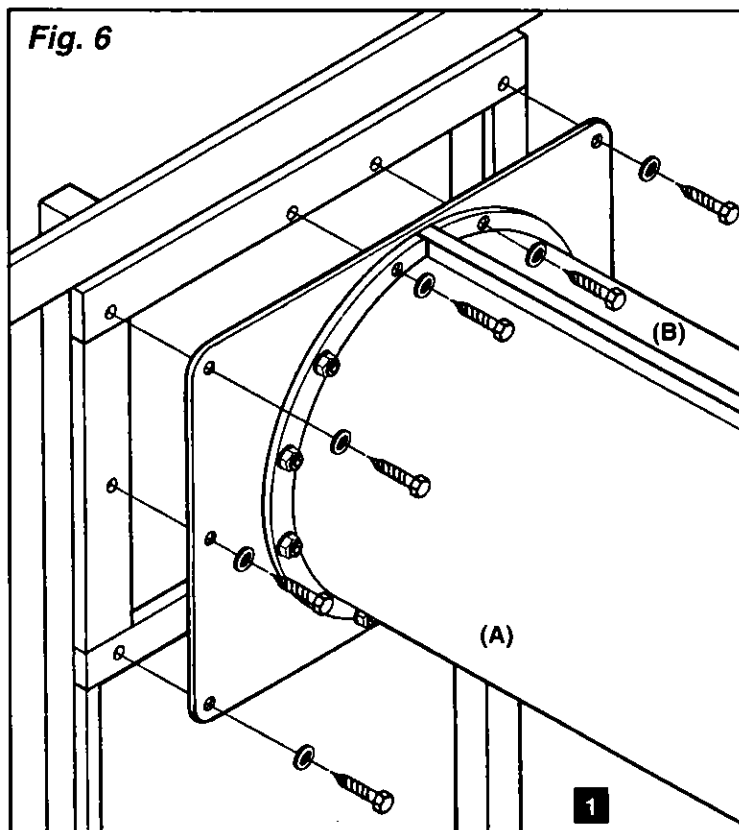
# Assembly Instructions

7. Position tunnel assembly **1** against framed opening of the Climber Tower. Mark remaining hole locations and drill 1/8" diameter pilot holes approximately 1" deep in the lumber. Attach Tower Tunnel to the unit using eleven (11) 1-1/2" lag bolts and eleven (11) flat washers (Fig. 6).

**NOTE:** Do not hammer lag bolts.

8. Attach the opposite end of the tunnel **2** to the Platform Tower. Again mark hole locations on the framed opening and drill 1/8" pilot holes approximately 1" deep. Secure tunnel to the unit using eleven (11) 1-1/2" lag bolts and eleven (11) flat washers (Fig. 7).

**NOTE:** Do not hammer lag bolts.



**NOTE:** When attaching the Tower Tunnel to the Twin Towers *Dynasty* version, both ends of the tunnel should be in the upright position as shown in figure 7.

**PlayKids**  
**267-Kids**  
Residential & Commercial  
High Quality Playground Equipment  
and Accessories  
4561 S.W. 75th Ave Miami, FL 33155  
Fax (305) 665-5719